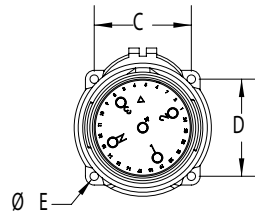
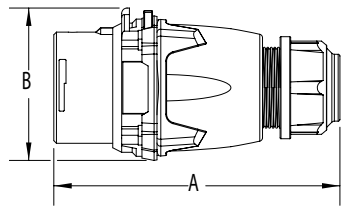


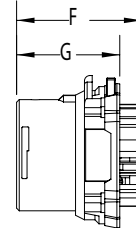
DR DIMENSIONS – Provided in inches

Dimensions are for reference only and may change depending on accessories used. For precise dimensions contact MELTRIC Engineering.

Plug

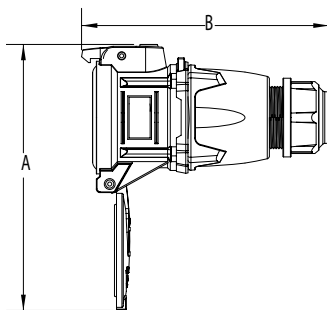


Inlet

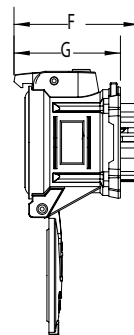
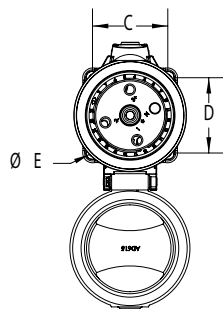


PRODUCT	A	B	C	D	øE	F	G
DR30	5.72	2.79	1.89	1.89	0.20	2.28	1.86
DR50	6.15	3.23	2.17	2.17	0.20	2.93	2.07
DR100/DR7c	6.70	3.77	2.59	2.59	0.24	3.42	2.38
DR150	8.33	4.59	3.20	3.20	0.24	4.14	3.04
DR250	10.30	5.67	3.86	3.86	0.26	4.66	3.20

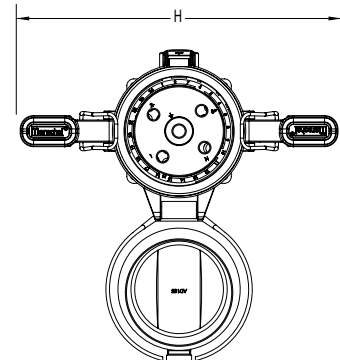
Connector



Receptacle

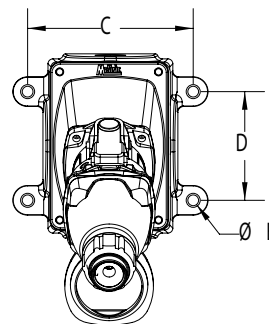
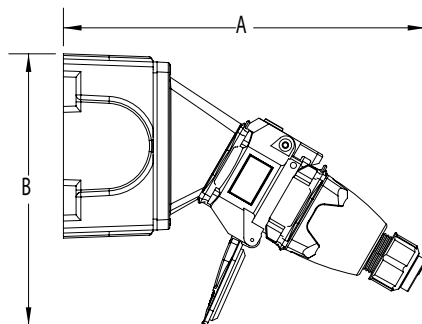


Extended Draw bars



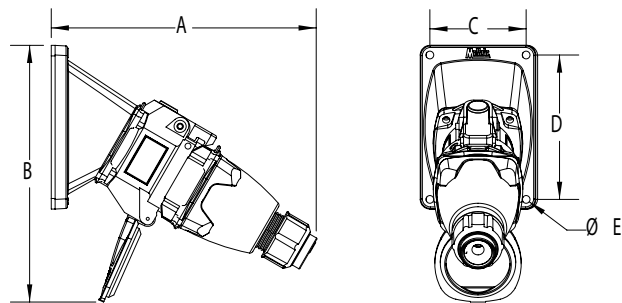
PRODUCT	A	B	C	D	øE	F	G	H
DR30	6.32	6.38	1.89	1.89	0.20	3.30	2.60	N/A
DR50	7.16	6.93	2.17	2.17	0.20	3.73	2.87	N/A
DR100/DR7c	8.46	7.75	2.59	2.59	0.22	4.53	3.37	N/A
DR150	11.04	10.02	3.20	3.20	0.23	5.71	4.74	11.25
DR250	11.54	10.87	3.86	3.86	0.26	6.21	4.75	12.07

Box/30° Angle/ Receptacle/Plug



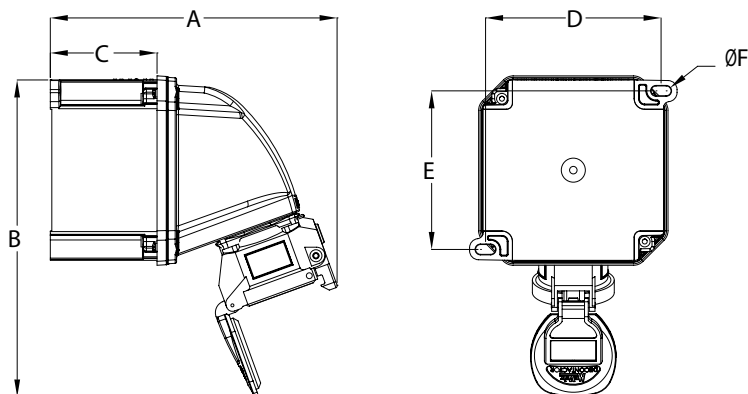
PRODUCT	A	B	C	D	øE
DR30	9.84	7.29	4.19	2.75	0.27
DR50	10.30	8.39	4.19	2.75	0.27
DR100/DR7c	11.87	10.45	5.00	3.81	0.33
DR150	16.06	11.77	6.75	4.25	0.31
DR250	15.76	11.54	8.13	6.38	0.31

30° Angle/Receptacle/Plug



PRODUCT	A	B	C	D	ØE
DR30	7.60	7.87	2.50	3.75	0.22
DR50	8.19	8.44	2.50	3.75	0.22
DR100/DR7c	9.17	10.16	3.43	4.83	0.26
DR150	14.09	12.05	4.83	4.83	0.28
DR250	11.61	15.03	6.50	6.50	0.25

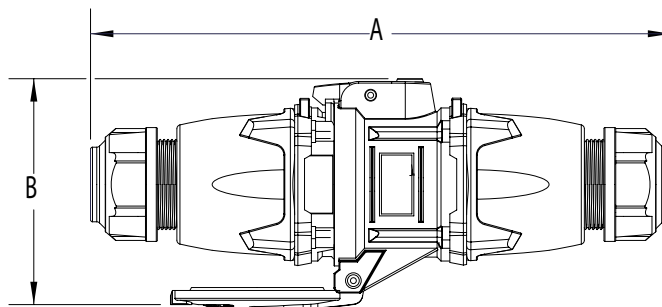
70° Wall Box/ Receptacle



PRODUCT	A	B	C	D	E	ØF
DR30	7.51	8.30	2.80	4.60	4.15	0.26
DR50	7.93	9.51	2.80	4.60	4.15	0.26
DR100/DR7c*	8.91	11.55	2.80	6.17	5.73	0.26

* Box has 4 mounting feet

Plug/Connector



PRODUCT	A	B
DR30	10.20	4.61
DR50	10.91	5.71
DR100/DR7c	12.17	6.57
DR150	19.53	8.03
DR250	23.15	8.00